



MCP401RC Manual Call Point

PLEASE NOTE: The MCP401RC is designed for use with the following models of Smoke/Heat/CO Alarms - Ei161RC, 164RC, 166RC, 141, 144, 146, 151TL, 154TL, 156TLH, 2110, 261ENRC, 261DENRC.

When the black spot on the front face of the MCP401RC is pressed, an alarm signal will be sent along the interconnect line and all interconnected alarms will sound. The MCP401RC switch element can be reset using the plastic key supplied.

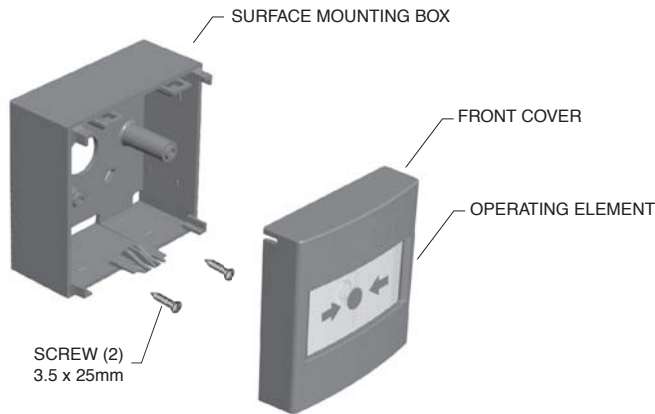


Figure 1

Installation & Wiring

WARNING: This Manual Call Point should be installed by a qualified electrician in accordance with the Requirements for Electrical Installations published by the Institute of Electrical Engineers (BS7671 current edition). A maximum of 4 MCP401RC units can be installed on one system in addition to 12 interconnect alarms.

- 1 Disconnect the AC mains power supply from the circuit that is to be used to power the smoke/heat alarms and the MCP401RC.
- 2 Install the Smoke/Heat/CO Alarms as per the **Installer Instructions** supplied with the alarms.
- 3 Select a suitable location where the MCP401RC can be easily accessed. The unit should not be exposed to dripping or splashing.
- 4 Route the wiring (Live, Neutral, Interconnect/Control and Earth) to the MCP401RC siting location. A minimum 0.75mm² cable should be used.
- 5 With the 25mm screws provided, fix the mounting box to the wall.

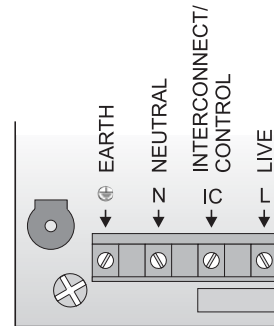


Figure 2

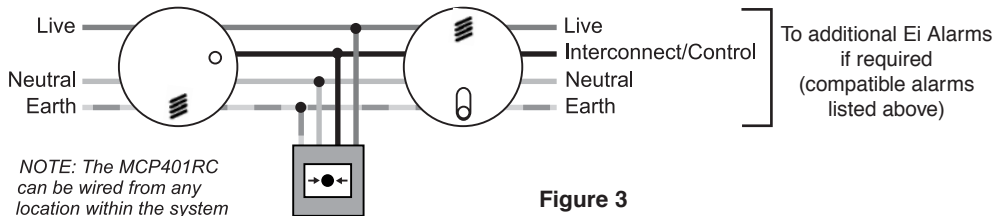


Figure 3

- 6 Connect the wiring as shown in *Figures 2 & 3* previously. **Note:** the Earth connection is for convenient termination of the earth conductor and is not required for the safety of the unit. The wiring should be installed securely (e.g. tie wrap together) to prevent a hazard if one becomes detached.
- 7 **Carefully** slide the front cover and circuit board diagonally into the mounting box, top section first (see *Figure 4*).
- 8 Then **carefully** locate the top of the front cover onto the top of the wall plate and hinge down to snap securely in place (see *Figure 5*).

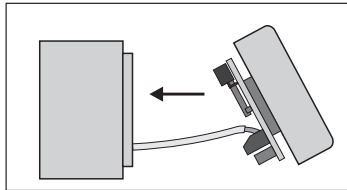


Figure 4

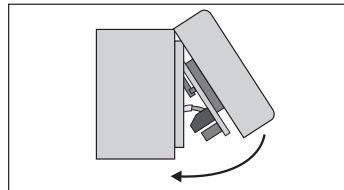


Figure 5

- 9 Reconnect the AC mains power to the circuit and check that the green mains indicator lights on the Smoke/Heat/CO Alarms are on.

Testing

It is recommended that the MCP401RC is tested directly after installation and then at least monthly.

- 1 Test that the MCP401RC call point triggers the alarm(s) by pressing the black spot on the front cover. A striped warning indicator should drop down into view on the front face (visible through the clear plastic window). Check that each alarm in the system is sounding.
- 2 Reset the MCP401RC by following the instructions in the **Resetting** section below. The alarms should stop sounding.
- 3 Now turn off the mains power to the system. Repeat the test above (this checks the rechargeable back-up in the unit). Reinststate the mains power to the system. The MCP401RC will operate in standby with mains off for over 6 months. With the Manual Call Point triggered it can give an alarm signal for over 16 hours.

Resetting

To reset the unit, insert the reset key into the hole in the bottom of the front cover. The striped warning indicator should disappear. With the key still inserted, twist it anti-clockwise until the operating element clicks back into place, then remove the reset key (see *Figure 6*).



Figure 6

Opening Unit / Removal

To detach the front cover, remove the security screw and insert the reset key into the bottom of the cover. With the key firmly inserted, hinge the bottom of the cover away from the wall plate/ mounting box (the reverse motion to fitting). See *Figure 7*.

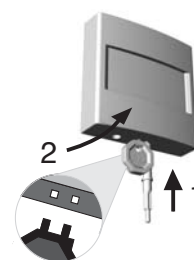


Figure 7

The crossed out wheellie bin symbol that is on your product indicates that this product should not be disposed of via the normal household waste stream. Proper disposal will prevent possible harm to the environment or to human health. When disposing of this product please separate it from other waste streams to ensure that it can be recycled in an environmentally sound manner. For more details on collection and proper disposal, please contact your local government office or the retailer where you purchased this product.



Aico Ltd. Mile End Business Park,
Maesbury Rd, Oswestry,
Shropshire, SY10 8NN, U.K.
Tel: 0870 7584000 www.aico.co.uk

Ei Electronics. Shannon, Ireland.
Tel: +353 (0)61 471277 www.eielectronics.com